

The stylish and powerful 2.6kW Herschel SUMMIT is a high quality, electric, zero light and zero maintenance designer space heater providing a modern and tasteful solution for heating zones in large indoor spaces. The Herschel SUMMIT is available in a choice of two colours - discreet black and contemporary white - both designs ensuring a high end finish for any application.


The slimline SUMMIT offers considerable flexibility when it comes to installation as it can be both ceiling and wall mounted, and is extremely simple to install. Wall/ceiling mount swivel brackets and accessories are provided with the heater and for longer distances from the ceiling, an optional wire suspension kit can be purchased from a recommended supplier. Please contact Herschel for further information. Reliable, durable and long lasting, the SUMMIT is available with or without a remote control. The remote control version comes with two different power levels and can be timer controlled for up to 24 hours. Far Infrared heat produced by the Herschel SUMMIT heats people directly, without heating the air in between, producing a warm, comfortable and gentle heat. The Kanthal AF heating element ensures a warm up time of less than 10 minutes, the perfect solution for warming up those hard to heat areas in larger indoor spaces such as shops, cafes, restaurants and bars. Silent in operation and with zero light, this is a discreet, efficient and environmentally friendly way to ensure clean, comfortable and effective warmth.

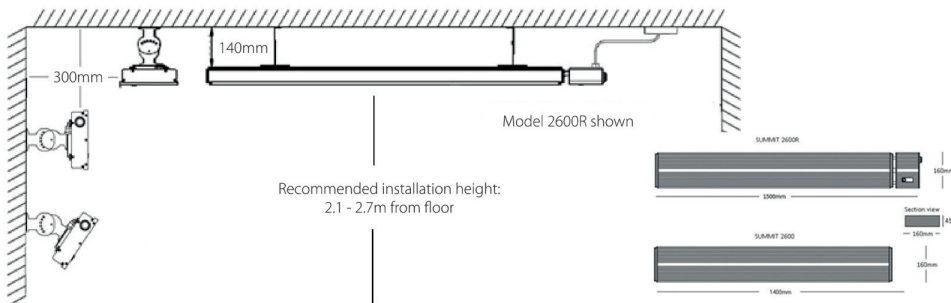
For larger detailed commercial projects we would always recommend Herschel carry out a survey or detailed desktop assessment.

**Available Models**

Part Number	Rated Power	Dimensions	Weight	Heated Zone m <sup>2</sup>
IR-SUMMIT-2600	2600W	140 x 16 cm	7 kg	9-16 Indoors
IR-SUMMIT-2600R	2600W	150 x 16 cm	7.5 kg	9-16 Indoors
IR-SUMMIT-2600RW	2600W	150 x 16 cm	7.5 kg	9-16 Indoors
IR-SUMMIT-2600W	2600W	140 x 16 cm	7 kg	9-16 Indoors

**Technical Details**

<b>Heating Element</b>	Herschel Kanthal AF
<b>Voltage</b>	220 - 240V 50 Hz
<b>Body</b>	Extruded aluminium body with structured black surface
<b>Remote Control</b>	2 power levels (100% & 50%) & 24 hour timer (24 x 1 hour increments)
<b>Warm Up Time</b>	<10 Minutes
<b>Useful Wavelength Range</b>	3 - 10µm
<b>IP Rating</b>	IP64
<b>Cable</b>	2m
<b>Certificates</b>	
<b>Warranty</b>	2 years



**IMPORTANT**

The recommended installation height of the SUMMIT is 2.1m to 2.7m (83"-106") from the floor. Under no circumstances is the heater to be installed at less than 1.8m (71") from the floor. In all cases it should be installed at a height where it cannot be touched in operation. The heated zones detailed are based on the recommended mounting heights. Please refer to the Herschel SUMMIT Installation Manual before installation and for guidance on heated zones and heat intensity at alternative mounting heights. In unprotected areas with air movement/wind, the propagation of the far infrared can be reduced by 1/3 to 1/2. In these areas or where air temperatures are low, we recommend considering a heater from our medium wave range from the Sunset range or increasing the number of Summit heaters proportionally and installing at the lowest possible height. Do not operate if supply voltage exceeds 240 volts.

The Herschel Summit is guaranteed against failure due to faulty materials or workmanship for two years from the date of purchase. Warranty excludes remote control. In the unlikely event of failure of the unit within this time, the unit must be returned to the supplier for repair or replacement. Refer to the warranty policy on Herschel-infrared.com for more detail including exclusions. The guarantee is invalid if the correct installation instructions have not been adhered to.