

# Aluminium Infrared Range

Stylish, Contemporary, **Energy Efficient** Infrared Heating

[CE-AW12060]

Project  
**cürv**

## ALUMINIUM INFRARED HEATING PANEL

**1195MM X 595MM**

Infrared technology is the future of  
**low emission** home heating



**Low Operating  
Cost**

Aluminum's high thermal conductivity helps the heater reach operating temperature quickly and efficiently. This efficiency minimizes wastage and lowers operating costs.



**Quick & Easy  
Installation**

The Project CÜRV aluminium elegance range is engineered to be extremely strong, easy to install and lockable so they are 100% secure.



**Fast  
Heating**

The Project CÜRV aluminium elegance range of infrared heaters are fast, responsive, and provide direct instant heat to any room.



**High  
Efficiency**

Infrared heaters emit directional heat, which means they target specific areas that need heating. This avoids wasting energy on heating unused spaces.



**Low Maintenance  
Costs**

Infrared Heaters have a longer operational lifespan compared to traditional heaters, resulting in fewer replacements and maintenance costs over time.

**Our sleek slimline Aluminium Infrared Heaters are versatile and lightweight, allowing them to be either ceiling, wall mounted or installed in a suspended ceiling.**

Infrared heaters work by emitting infrared radiation that directly heats surfaces, objects and people in the room, rather than heating the air like traditional convection heaters. Heat is not wasted through draughts and air moving up to the ceiling where the heat is not needed, but instead, keeps a steadier thermal mass. This is a more natural, efficient and targeted way of heating spaces leading to potential energy savings.

### Features

- Heats any space while saving space
- Minimalist aesthetic
- Smart App control - control your heating from anywhere
- Wall, ceiling or drop ceiling mountable
- Low power consumption with silent, economical, instant heat
- Lightweight Aluminium Design



**WALL, CEILING,  
DROP CEILING  
MOUNTING**



**FULL SMART  
APP CONTROL**

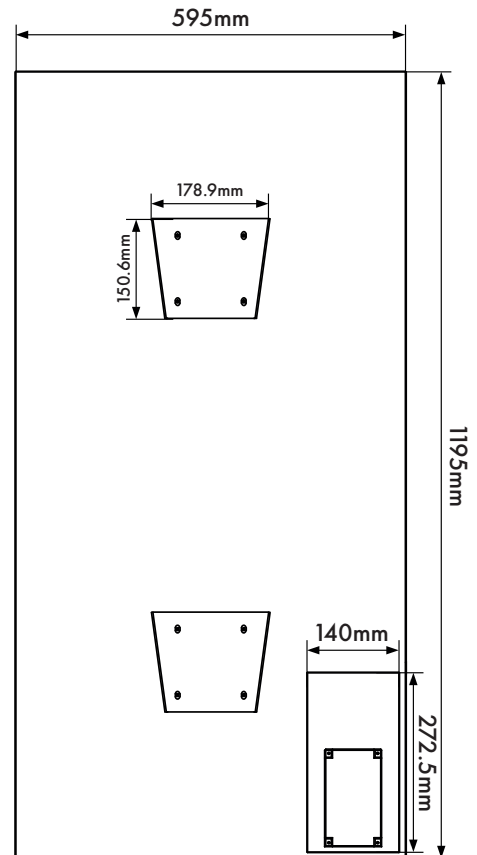
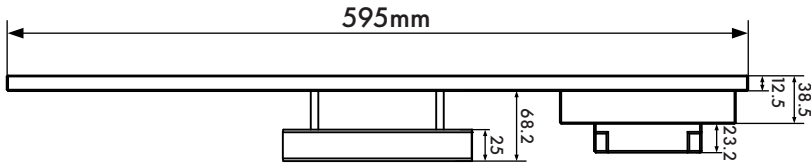


**15  
YEAR PANEL  
WARRANTY**

# Aluminium Infrared Range

Stylish, Contemporary, **Energy Efficient** Infrared Heating

[CE-AW12060]

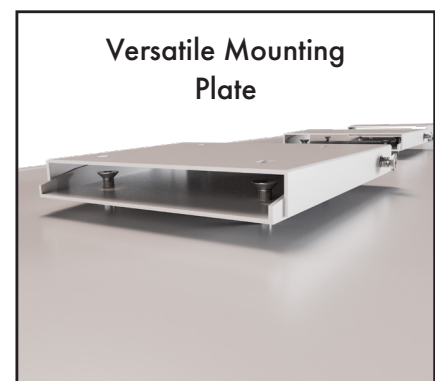
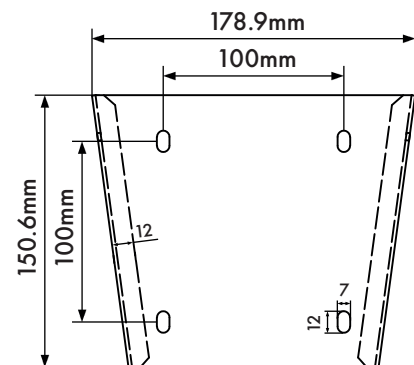


## Dimensions And Connections

Size (mm)	595 x 1195
Off The Wall (mm)	125 mm
Finish	Aluminum
Net Weight (kg)	13 kg
Gross Weight (kg)	16.7 kg
Maximum Heating Area (M <sup>2</sup> ) *	13.33 M <sup>2</sup>
Mounting	Ceiling/Wall

## Performances

Watts	800W
Input Voltage	AC220 - 240V
IP Rating	IP30
Input Frequency	50/60Hz
Maximum Load Current	Resistive, max 3A
WiFi Standard	WiFi 802.11 b/g/n
WiFi Frequency	2.4 GHz
Working Power Consumption	< 3W
Standby Power Consumption	< 1.8W
Adjustable Plate Temp Range	75°C - 100°C
Cürv Smart Wireless Thermostat Included	✓
Cürv Smart App Control	✓
Designed In The UK	✓
Room By Room Smart Zone Control	✓
Multiple Settings With Eco Mode	✓
Programmable 7 Day Control	✓
Built In Cost Monitoring	✓
Frost Protection / Holiday Mode	✓
Child Lock Feature	✓
(Safe Surfaces Temperature Of 43°C)	✓
UKCA & CE Tested	✓
TUV, GS Tested	✓
Solid State Element	✓
Lightweight Aluminium Design	✓
Override Control	✓
Fixing Kit Included	✓
Warranty	15 Years
Available In	Ocean White



\* Guide only, CÜRv recommend well insulated buildings to use 60W per m<sup>2</sup> when specifying infrared heating panels into a property.